

**CODE NUMBER**

4024531

**DESCRIPTION**

Polished Chrome Finish, Act-O-Matic® Institutional Showerhead.

**DETAILS**

- Finish: Polished Chrome (CP)
- Flow Rate: 1.8 gpm (6.8 Lpm) (1.8GPM)
- Self-Cleaning: Yes

**FEATURES**

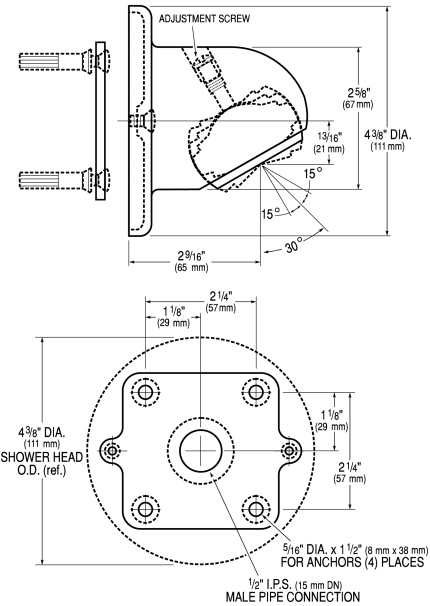
Act-O-Matic, Chrome Plated Shower Head with the following features:

- Spring loaded, self-cleaning spray disc to prevent particle clogging
- “Cone-within-a-cone” Spray Pattern for total body coverage
- Adjustable spray angle with pressure compensating 1.8 gpm (6.8 Lpm) flow control
- All Brass Construction
- Mounting Plate with Vandal Resistant Mounting Screws
- Fast drain feature to prevent residual slow dripping
- 1/2” IPS inlet

Shower Head shall be in conformance to all requirements of ANSI/ ASME Standard A112.18.1M, CSA B-125 and the United States Federal Energy Policy Act.

**DOWNLOADS**

- [AC 450/460 Installation Instructions](#)
- [AC-450 \(Spanish\) Installation Instructions](#)
- [Showerhead Parts and Accessories Repair and Maintenance Guide](#)
- [Additional Downloads](#)



**COMPLIANCES & CERTIFICATIONS**



(BAA Compliant, BREEAM Water Credit, cUPC Certified, Green Globes Water Credit, LEED V4 Water Efficiency Credit, WaterSense Listed, Satisfies LEED Credits)

**RECOMMENDED SPECIFICATION**

Sloan Act-O-Matic Institutional Showerhead model no. AC-450 1.8 gpm. Vandal Resistant and Chrome Plated.

**NOTES**

All information contained within this document subject to change without notice.

**Sloan 10500 Seymour Ave, Franklin Park, IL 60131**

Phone: 800.982.5839 • Fax: 800.447.8329 • [sloan.com](http://sloan.com)